

New Delhi, Dated 07.07.2006

To

The DGs: Assam
Rifles/BSF/CISF/CRPF/ITBP/NSG/SSB/BPR&D.

Subject: Finalization of QRs/Specifications for Weaponry/Security Equipments

The committee comprising representatives from CRPF, BSF, CISF, NSG, SSB and ITBP held meeting on 09.03.2006, 10.05.2006 & 22.05.2006 under the chairmanship of DG:BPR&D and finalized the QRs of bodies in respect of the following Bus/Trucks for medium/heavy vehicles:-

- (a) ✓ LONG CHASSIS (BUS)
- (b) ✓ SHORT CHASSIS (MINI BUS)
- (c) ✓ TRUCK CHASSIS ✓
- (d) ✓ AMBULANCE
- (e) ✓ WATER TANKER (6 KL/9KL)
- (f) ✓ TRUCK CHASSIS ONE TONNE (WINDOW GRILLE TYPE/CANVAS TOP)

2. These recommendations have been accepted by MHA. The QRs finalized by the above said committee and accepted by MHA in respect of the above equipments are enclosed herewith.

3. Henceforth, all the CPMFs should procure the above items required by them to meet their operational needs strictly as per the laid down QRs/specifications.

Yours faithfully,

Alok
(Alok Mukhopadhyay)
Under Secretary (Prov.I)

Copy to : DD(Procurement), MHA *1/13/06 - 4/06*

etc
issued

Copy for information to:

1. PS to JS(PM), MHA
2. Dir(Prov), MHA

QUALITATIVE REQUIREMENTS FOR AMBULANCE**(On Medium vehicles (1 Tonne))****CONSTRUCTION DETAILS: (Construction should be as per layout enclosed for details)**

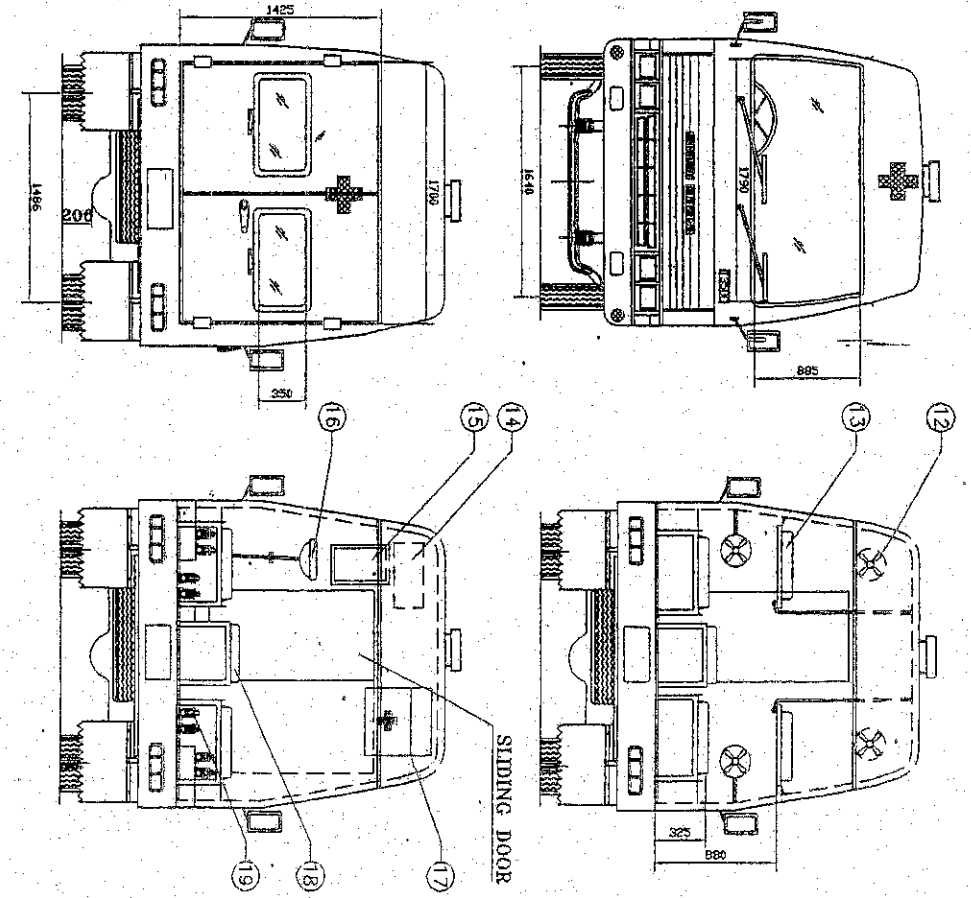
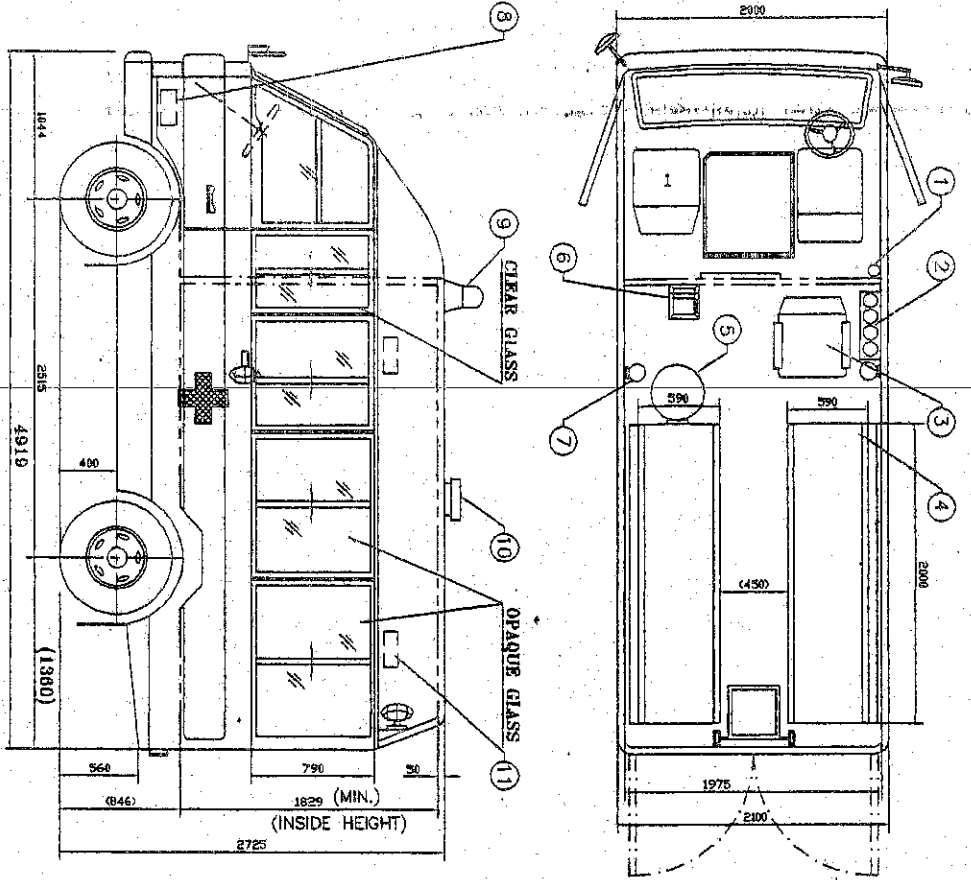
STRUCTURE	:	Side structure with Hot Rolled Hat Sections.
	:	Floor structure 3mm thick Rolled floor channel covered with corrugated sheets.
EXTERNAL PANELING	:	Stretched 1mm thick GALVANISED IRON sheet
EXTERNAL ROOF	:	1mm thick GALVANISED IRON sheet

INTERIOR:

INTERNAL SIDE PANELING	:	Internal paneling with 1mm thick GALVANISED IRON Sheet.
ROOF PANELING	:	Roof paneling with 1mm thick GALVANISED IRON Sheet.
FLOOR	:	12mm thick Waterproof Plywood & 1.6 mm thick Aluminium Chequered plate.

STANDARD FEATURES:

1. Rear Door.
2. Siren.
3. Glucose bottle stand.
4. Fire extinguisher.
5. Doctor seat.
6. Upper berth.
7. Lower berth.
8. Ring for sterilizer.
9. Water bottle stand.
10. Oxygen cylinder bracket Stand.
11. Red lamp.
12. Exhaust fan.
13. Room light.
14. Fan.
15. A C System.
16. First Aid Box.
17. Water tank & mirror.
18. Wash basin.
19. Seat cum ladder.
20. Stretcher.



NOTE:-
 1) ALL DIMENSIONS ARE IN MM UNLESS STATED OTHERWISE.
 2) REMOVE ALL SHARP EDGE AND BURRS.

S.NO.	SPECIFICATIONS	QTY.	S.NO.	SPECIFICATIONS	QTY.	S.No.	SPECIFICATIONS
1	FIRE EXTINGUISHER	1	11	ROOM LIGHT	2	1	LENGTH
2	GLUCOSE BOTTLE STAND	1	12	FAN	4	2	WIDTH
3	DOCTOR SEAT	1	13	UPPER BERTH	2	3	HEIGHT
4	LOWER BERTH	2	14	SWITCH BOARD	1	4	WHEEL BASE
5	RING FOR STRITZER	1	15	WATER TANK & MIRROR	1	5	K.O.H.
6	WATER BOTTLE STAND	1	16	WASH BASIN	1		
7	OXYGEN CYL. BRKT. SET	2	17	FIRST AID BOX	1		
8	SIREN	1	18	SEAT CUM LADDER	1		
9	RED LAMP	1	19	STRETCHER	4		
10	EXHAUST FAN	1					

